



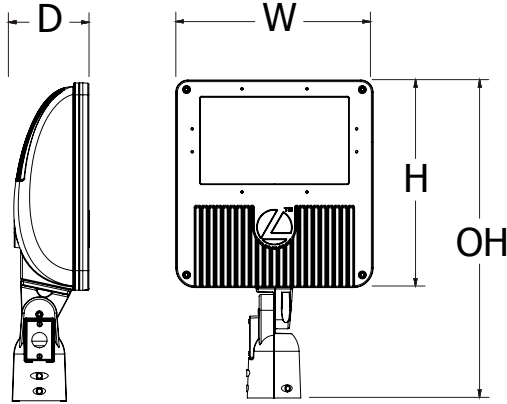
D-Series DSXF3 LED Floodlight



d#series

Specifications

EPA @ 90°:	1.4 ft ² (0.13 m ²)
Depth:	4.89" (12.4 cm)
Width:	12.90" (32.8 cm)
Height:	13.58" (34.5 cm)
Overall Height:	20.80" (52.8 cm)
Weight:	21 lbs (9.5 kg)



Catalog
Number

Notes

Type

Hit the Tab key or mouse over the page to see all interactive elements.

Introduction

The D-Series floodlights feature a site-wide offering to meet specifier's every floodlighting need in application. The D-Series flood offers three sizes delivering 3,000 to 27,000 lumens. Available with seven precision optics, three mountings and three color temperatures, D-Series floodlights offer vast design capabilities while delivering significant energy savings and long life.

The DSXF3 delivers 12,000 to 27,000 lumens, meeting a large breadth of illumination requirements for design and renovation when replacing 400W HID floodlights. All Configurations are made in North America allowing for quick delivery.

Ordering Information

EXAMPLE: DSXF3 LED 6 P2 40K 70CRI FL MVOLT THK DDBXD

DSXF3 LED									
Series	Light Engines	Performance Package	Color Temperature	CRI	Distribution		Voltage		Mounting
DSXF3 LED	6 Six COB engines	P1 P2 P3 ¹ P4 ¹	30K 3000K 40K 4000K 50K 5000K	70CRI	WFL	Wide flood (6x6)	MVOLT ²	277	Shipped included IS Integral slipfitter (fits 2-3/8" O.D. tenon) YKC62 Yoke with 2ft, 16-3 SO cord THK Knuckle with 3/4" NPT threaded pipe
					FL	Flood (5x5)	120	347	
					MFL	Medium flood (4x4)	208	480	
					WFR	Wide flood rectangular (6x5)	240		
					HMF	Horizontal medium flood (6x4)			
					MSP	Medium Spot (4x4)			
					NSP	Narrow Spot (3x3)			

Options		Finish (required)
Shipped installed PE Photocontrol, button style ³ PEX Photocontrol external, swivel ⁴ PER7 Seven-wire receptacle only (controls ordered separate) ^{5,6} DMG 0-10v dimming wires pulled outside fixture (for use with an external control, ordered separately)		DDBXD Dark bronze DBLXD Black DNAXD Natural aluminum DWHXD White
Shipped separately⁷ UBV Upper/bottom visor (universal) FV Full visor VG Vandal guard WG Wire guard		



Ordering Information

Accessories

Ordered and shipped separately.

FTS CG6 DDBXD U	Slipfitter for 2-3/8" to 2-7/8" OD tenons; mates with yoke mount (specify finish)
FRWB DDBXD U	Radius wall bracket, 2-3/8" OD tenon (specify finish)
FSPB DDBXD U	Steel square pole bracket, 2-3/8" OD tenon (specify finish)
DSXF3UBV DDBXD U	Upper/bottom visor accessory (specify finish)
DSXF3FV DDBXD U	Full visor accessory (specify finish)
DSXF3VG U	Vandal guard accessory
DSXF3WG DBLXD U	Wire guard accessory
DLL127F 1.5 JU	Photocell - SSL twist-lock (120-277V) ⁸
DLL347F 1.5 CUL JU	Photocell - SSL twist-lock (347V) ⁸
DLL480F 1.5 CUL JU	Photocell - SSL twist-lock (480V) ⁸
DSHORT SBK U	Shorting cap ⁸

For more mounting options, visit our [Floodlighting Accessories](#) pages.

Stock configurations are offered for shorter lead times:

Standard Part Number	Stock Part Number	CI Code
DSXF3 LED 6 P1 40K 70CRI WFL MVOLT IS DDBXD	DSXF3 LED 6 P1 40K IS	*236CXJ
DSXF3 LED 6 P1 50K 70CRI WFL MVOLT IS DDBXD	DSXF3 LED 6 P1 50K IS	*236CXG
DSXF3 LED 6 P1 40K 70CRI WFL MVOLT YKC62 DDBXD	DSXF3 LED 6 P1 40K YKC62	*236CXH
DSXF3 LED 6 P1 50K 70CRI WFL MVOLT YKC62 DDBXD	DSXF3 LED 6 P1 50K YKC62	*236CX8
DSXF3 LED 6 P2 40K 70CRI WFL MVOLT IS DDBXD	DSXF3 LED 6 P2 40K IS	*236CX6
DSXF3 LED 6 P2 50K 70CRI WFL MVOLT IS DDBXD	DSXF3 LED 6 P2 50K IS	*236CX3
DSXF3 LED 6 P2 40K 70CRI WFL MVOLT YKC62 DDBXD	DSXF3 LED 6 P2 40K YKC62	*236CX5
DSXF3 LED 6 P2 50K 70CRI WFL MVOLT YKC62 DDBXD	DSXF3 LED 6 P2 50K YKC62	*236CX2

NOTES

- Performance packages P3 and P4 are not available with HMF, MFL, MSP, NSP.
- MVOLT driver operates on any line voltage from 120-277V.
- Requires MVOLT or 347V.
- Requires 120V, 208V, 240V, 277V or 347V.
- For units with a photocontrol receptacle, the mounting must be restricted to $\pm 45^\circ$ from horizontal aim per ANSI C136.10-2010.
- Compatible with standard twist-lock photocells for dusk to dawn operation or advanced control nodes that provide 0-10V dimming signals. Wire 4/Wire 5 wired to dimming leads on driver. Wire 6/Wire 7 capped inside luminaire. Consult Outdoor Technical Support for PER3 and PER5.
- Also available as separate accessories; see Accessories information at left.
- Requires luminaire to be specified with PER option.

Mountings/External Shields/Accessories

Mountings



IS – Adjustable Slipfitter
(fits 2-3/8" O.D. tenon)



YKC62 - Yoke with 16-3
50 cord, 2ft



THK - Threaded Knuckle with
3/4" NPT threaded pipe

External Shields



UBV Visor
Top Mounted



UBV Visor
Bottom Mounted



FV - Full Visor

Accessories



WG - Wire Guard



VG - Vandal Guard



Yoke with FTS CG6
(Yoke tenon adaptor accessory)

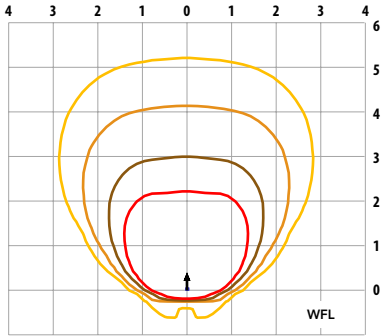
Photometric Diagrams

To see complete photometric reports or download .ies files for this product, visit Lithonia Lighting's [D-Series Flood Size 3 homepage](#).

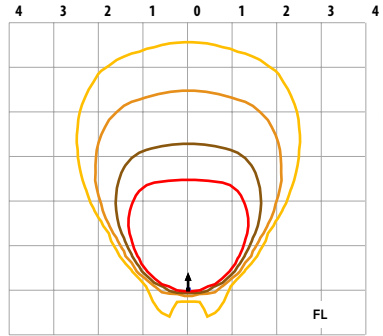
Isofootcandle plots for DSXF3. Distances are in units of mounting height (30ft).

LEGEND

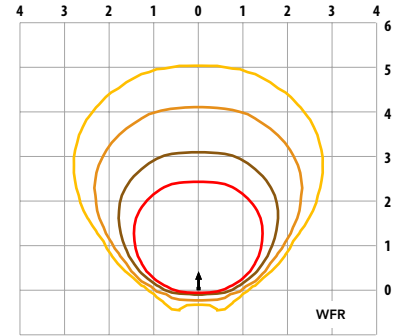
- 0.1 fc
- 0.25 fc
- 0.5 fc
- 1.0 fc



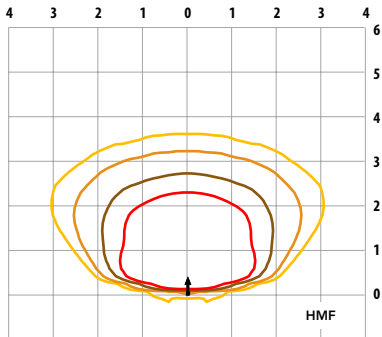
DSXF3 LED 6 P4 40K - Tilted at 50°



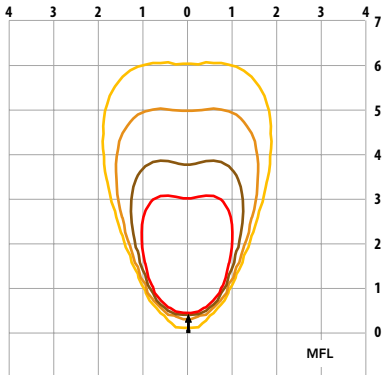
DSXF3 LED 6 P4 40K - Tilted at 50°



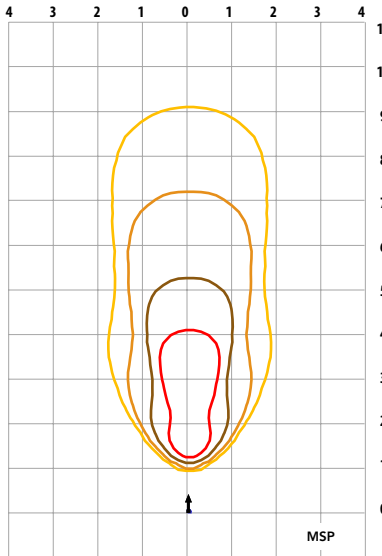
DSXF3 LED 6 P4 40K - Tilted at 45°



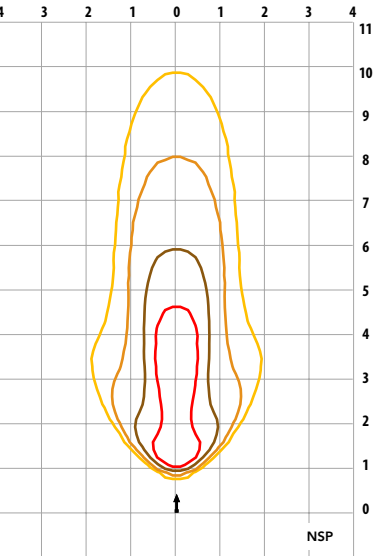
DSXF3 LED 6 P2 40K - Tilted at 45°



DSXF3 LED 6 P2 40K - Tilted at 60°



DSXF3 LED 6 P2 40K - Tilted at 80°



DSXF3 LED 6 P2 40K - Tilted at 80°

MH = 30ft
Grid = 30ft x 30ft

Performance Data

Lumen Output

Lumen values are from photometric tests performed in accordance with IESNA LM-79-08. Data is considered to be representative of the configurations shown, within the tolerances. Contact factory for performance data on any configurations not shown here.

Performance Package	System Watts	Distribution Type	NEMA Type	Field Angle		Beam Angle		30K (3000K, 70 CRI)			40K (4000K, 70 CRI)			50K (5000K, 70 CRI)		
				°H	°V	°H	°V	Lumens	LPW	Max Cd	Lumens	LPW	Max Cd	Lumens	LPW	Max Cd
P1	111	WFL	6 X 6	111	115	83	85	17,141	154	9,154	17,458	157	9,323	17,776	160	9,493
		FL	5 X 5	90	92	70	72	16,060	145	11,369	16,358	147	11,579	16,655	150	11,790
		WFR	6 X 5	107	96	81	72	16,296	147	10,253	16,598	149	10,443	16,900	152	10,633
	107	HMF	6 X 4	124	67	95	55	13,584	127	10,994	13,956	130	11,295	13,956	130	11,295
		MFL	4 X 4	57	59	45	45	13,193	123	22,794	13,554	126	23,419	13,554	126	23,419
		MSP	4 X 4	52	52	27	28	13,084	122	48,321	13,442	125	49,645	13,442	125	49,645
P2	138	NSP	3 X 3	39	37	18	17	11,501	107	68,331	11,816	110	70,203	11,816	110	70,203
		WFL	6 X 6	111	115	83	85	20,622	149	11,013	21,005	152	11,217	21,387	155	11,421
		FL	5 X 5	90	92	70	72	19,322	140	13,678	19,680	142	13,931	20,038	145	14,185
	169	WFR	6 X 5	107	96	81	72	19,607	142	12,336	19,970	144	12,565	20,333	147	12,793
		HMF	6 X 4	124	67	95	55	18,800	111	15,215	19,315	114	15,632	19,315	114	15,632
		MFL	4 X 4	57	59	45	45	18,259	108	31,547	18,759	111	32,411	18,759	111	32,411
P3	165	MSP	4 X 4	52	52	27	28	18,107	107	66,875	18,603	110	68,707	18,603	110	68,707
		NSP	3 X 3	39	37	18	17	15,917	94	94,567	16,353	97	97,158	16,353	97	97,158
		WFL	6 X 6	111	115	83	85	23,900	145	12,764	24,343	148	13,000	24,786	150	13,237
	189	FL	5 X 5	90	92	70	72	22,393	136	15,852	22,808	138	16,146	23,223	141	16,439
		WFR	6 X 5	107	96	81	72	22,723	138	14,297	23,144	140	14,562	23,565	143	14,827
		WFL	6 X 6	111	115	83	85	26,738	141	14,279	27,233	144	14,544	27,729	147	14,808
P4	189	FL	5 X 5	90	92	70	72	25,052	133	17,734	25,516	135	18,063	25,981	137	18,391
		WFR	6 X 5	107	96	81	72	25,421	134	15,994	25,892	137	16,291	26,363	139	16,587

Lumen Ambient Temperature (LAT) Multipliers

Use these factors to determine relative lumen output for average ambient temperatures from 0-40°C (32-104°F).

Ambient Temperature		Lumen Multiplier (Optics WFL, FL, WFR)	Lumen Multiplier (Optics HMF, MFL, MSP, NSP)
0°C	32°F	1.04	1.07
5°C	41°F	1.03	1.06
10°C	50°F	1.02	1.04
15°C	59°F	1.02	1.03
20°C	68°F	1.01	1.01
25°C	77°F	1.00	1.00
30°C	86°F	0.99	0.99
35°C	95°F	0.98	0.97
40°C	104°F	0.97	0.95

Reported LED Lumen Maintenance

Data references the extrapolated performance projections for the platforms noted in a 25°C ambient and hours of LED testing (tested per IESNA LM-80-08 and reported per IESNA M-21-11).

To calculate LLF, use the lumen maintenance factor that corresponds to the luminaire performance package below. For other lumen maintenance values, contact factory.

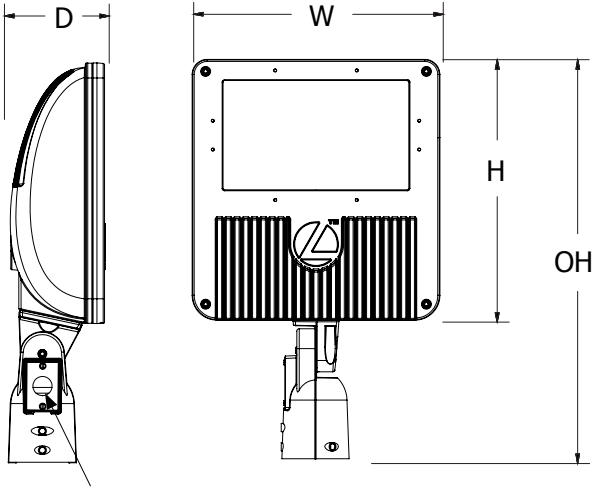
Optic Type	Performance Package	TM-21 Percent Lumen Maintenance at 60,000 hrs
WFL, FL, WFR	P1 / P2 / P3 / P4	90%
MFL, HMF, MSP, NSP	P1 / P2	89%

Electrical Load

Performance Package	System Watts (W)	Current (A)						
		120V	208V	240V	277V	347V	480V	
Optic Types WFL, FL, WFR	P1	111	0.98	0.57	0.50	0.43	0.33	0.24
	P2	138	1.23	0.70	0.61	0.54	0.41	0.30
	P3	165	1.45	0.82	0.72	0.63	0.49	0.35
	P4	189	1.65	0.94	0.82	0.72	0.56	0.40
Optic Types HMF, MFL, MSP, NSP	P1	107	0.98	0.57	0.50	0.43	0.33	0.24
	P2	169	1.55	0.87	0.76	0.66	0.51	0.37

Dimensions

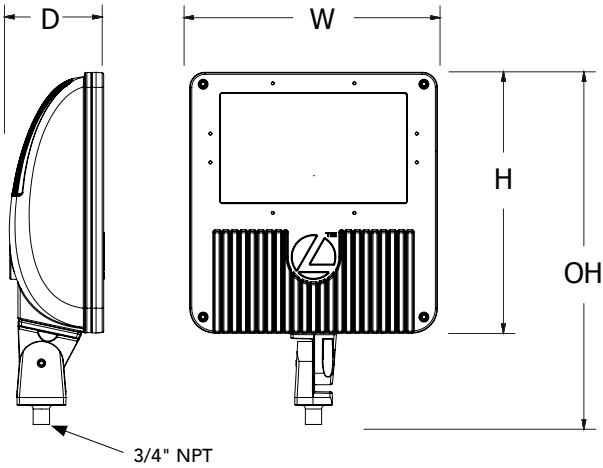
Adjustable Slipfitter (IS)



Width: 12.90" (32.8 cm)
 Depth: 4.89" (12.4 cm)
 Height: 13.58" (34.5 cm) main body
 Overall: 20.80" (52.8 cm) with arm
 Weight: 21 lbs

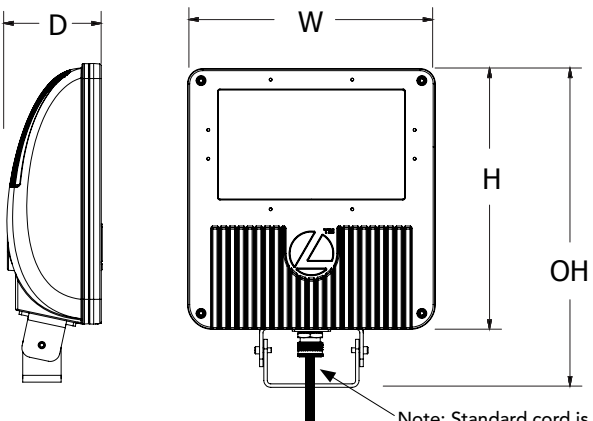
Qty (2) - splice covers included (includes one with 7/8" thru-hole allows conduit from exterior)

Threaded Knuckle (THK)



Width: 12.90" (32.8 cm)
 Depth: 4.89" (12.4 cm)
 Height: 13.58" (34.5 cm) main body
 Overall: 18.34" (46.6 cm) with arm
 Weight: 20 lbs

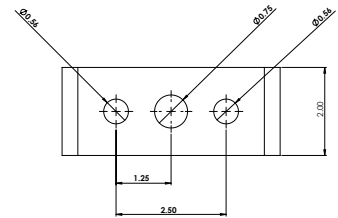
Yoke (YKC62)



Width: 12.90" (32.8 cm)
 Depth: 4.89" (12.4 cm)
 Height: 13.58" (34.5 cm) main body
 Overall: 16.60" (42.2 cm) with arm
 Weight: 20 lbs

Note: Standard cord is 16-3 wire, 2 ft cord. Other lengths can be specified.
 Ex: YKC62
 YK = Yoke Mount
 C6 = 16 gage, 3 wire cord
 2 = 2 feet (5 = 5ft, 6 = 6ft, etc.)

Yoke (YK) Mounting Detail



Accessories including bullhorns, cross arms and other adapters are available. For the complete line of accessories available, visit the accessories tab at Lithonia's Outdoor Poles and Arms product page. [Click here to visit Accessories.](#)

FEATURES & SPECIFICATIONS

INTENDED USE

The sleek and compact design of the D-Series floodlights reflects the embedded high performance LED technology while offering a clean aesthetic suitable for specification and general purpose floodlighting applications. DSXF3 delivers 12,000 to 27,000 lumens and is ideal for commercial lighting applications including new construction and replacing 400W HID floodlights. Three sizes are available with seven precision optics allowing for maximum design versatility. DSXF3 is ideal for general area, security, facade, flagpole and signage lighting applications.

CONSTRUCTION

The DSXF3 LED floodlight features rugged die-cast aluminum construction with integral heat sink fins that optimize thermal management through conductive and convective cooling. The LED driver is mounted in direct contact with the casting to promote low operating temperature and long life. The housing and lens frame are completely sealed against moisture and environmental contaminants providing an IP66 rating. Low EPA (1.4 ft²) for optimized wind loading. DSXF3 is 1.5G vibration rated per ANSI C136.31.

FINISH

Exterior painted parts are protected by a zinc-infused Super Durable TGIC thermoset powder coat finish that provides superior resistance to corrosion and weathering. A tightly controlled multi-stage process ensures a 3 mils thickness for a finish that can withstand extreme climate changes without cracking or peeling. Standard Super Durable colors include dark bronze, black, natural aluminum, and white. Available in textured and non-textured finishes.

OPTICS

Seven unique precision-molded vacuum-metallized specular reflectors are engineered for superior field-to-beam ratios, uniformity and spacing. Light engines are available in 3000K, 4000K or 5000K (minimum 70 CRI) configurations. Optional visors offer additional versatility when shielding is required.

ELECTRICAL

Light engines consist of chip-on-board (COB) LEDs directly coupled to the housing to maximize heat dissipation and promote long life. LED lumen maintenance is L90/60,000 hours for WFL, FL and WFR optics and L89/60,000 hours for HMF, MFL, MSP and NSP optics. Class 1 electronic drivers ensure system power factor. 90% and THD <20%. Serviceable 10kV surge protection device meets a minimum Category C low operation (per ANSI/IEEE C62.41.2).

CONTROLS

DSXF3 features an optional NEMA twist-lock 7-pin photocell receptacle that is compatible with standard twist-lock photocells for dusk to dawn operation or advanced control nodes that provide 0-10V dimming signals. Standard wiring will be per following: Wire 1/2/3 as normal (hot input, switch leg and neutral). Wire 4/Wire 5 wired to dimming leads on driver. Wire 6/Wire 7 capped inside luminaire. Also available with MVOLT button photocontrol or external mounted swivel type photocontrol.

INSTALLATION

The die-cast integral "IS" mount features an adjustable slipfitter that mounts on a 2 3/8" OD tenon. Includes integral splice compartment offering easy installation and wiring. An extra cover plate with 7/8" through hole is provided to accommodate 1/2" water-tight fitting for power run from outside of the tenon. The "THK" adjustable knuckle mount includes a 3/4-14 NPT pipe thread. A steel yoke "YK" mount is available and includes a water tight cord grip and cord. DSXF3 features a glass lens enclosure that is protected to IP66 and is rated for lighting aimed up above 90°. Suitable for mounting within 4 feet of ground.

LISTINGS

CSA Certified to meet U.S. and Canadian standards. Suitable for wet locations. Rated for -40°C minimum ambient.

WARRANTY

5-year limited warranty. Complete warranty terms located at: www.acuitybrands.com/support/customer-support/terms-and-conditions

Note: Actual performance may differ as a result of end-user environment and application. All values are design or typical values, measured under laboratory conditions at 25 °C. Specifications subject to change without notice.