

FEATURES & SPECIFICATIONS

INTENDED USE — The OneUp™ recessed direct-wire LED downlight includes integrated junction box, trim, pre-installed non-metallic bushings and 3-port push wire quick connectors in one package. The OneUp is the most economical means to create a well lit environment with exceptional energy efficiency and near zero maintenance.

CONSTRUCTION — Spun steel, round baffle trim. Integrated galvanized steel junction box with captive door for easy access. Suitable for daisy chaining (pulling wires). Available in 3000K color temperature LEDs.

OPTICS — Round baffle recesses optical system into the ceiling to prevent glare and provide a traditional look. Diffused lens provides even light distribution for general illumination, equivalent to 65W incandescent flood lamp. Wide flood beam angle at >90°. CRI >90. Maintains at least 70% light output for 50,000 hours.

INSTALLATION — Tool-less installation. Secure trim retention with two side-mounted spring clips for easy installation in plaster, sheet rock, or plywood ceilings. The integrated junction box - with pre-installed non-metallic bushing - allows non-metallic cable to be fed through without the hassle of knockouts. The captive junction box door provides easy access to pre-installed 3-port push wire quick connectors for straight-forward wiring. Rated for Type IC installations. Maximum of 4 No. 12AWG through branch circuit conductor suitable for 90°C permitted in box. Ground wire provided.

ELECTRICAL SYSTEM — LED module with high-efficiency on board driver. Dimming down to 10%. For compatible dimmers, refer to: Compatible dimmers chart.

Actual wattage may differ by +/-5% when operating at 120V +/-10%.

LISTINGS — ETL certified to US and Canadian safety standards. Can be used to comply with California Title 24 Part6 High Efficacy LED Light Source Requirements. WSEC ASTM E283 for Air-Tight rated with gasket or caulking between fixture trim and ceiling. ENERGY STAR® certified. Wet location listed*. Indoor damp location only for items in Brushed Nickel finish.

WARRANTY — 5-year limited warranty. Complete warranty terms located at:

www.acuitybrands.com/CustomerResources/Terms_and_conditions.aspx

Note: Actual performance may differ as a result of end-user environment and application.

All values are design or typical values, measured under laboratory conditions at 25 °C.

Specifications subject to change without notice.

Specifications

| | |
|------------------------|----------------|
| Aperture: | 3-3/4" (94.1) |
| Overlap Trim: | 5-1/4" (133.3) |
| Height: | 4-5/8" (116.9) |
| Ceiling Opening: | 4-5/8" (117) |
| Min Ceiling Thickness: | 1/2" (12.7) |
| Max Ceiling Thickness: | 1-1/2" (38.1) |

All dimensions are in inches (millimeters).

| |
|----------------|
| Catalog Number |
| Notes |
| Type |

Direct-Wire LED Recessed Downlight

4JBK RD

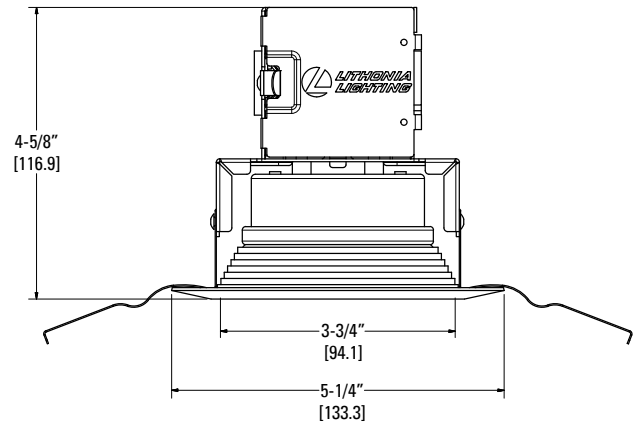
IC Remodel



Brushed nickel



Oil-rubbed bronze



ORDERING INFORMATION

For shortest lead times, configure product using **standard options (shown in bold)**.

Example: 4JBK RD 30K 90CRI BN

| Series | Shape | CCT/ Watts/Lumens ¹ | CRI | Finish |
|-------------|-----------------|--------------------------------|---------------------|---------------------------------------|
| 4JBK | RD Round | 27K 2700K/8.9W/670L | 90CRI 90 CRI | MW Matte White |
| | | 30K 3000K/8.9W/695L | | BN Brushed Nickel ² |
| | | 40K 4000K/8.9W/710L | | ORB Oil-Rubbed Bronze |
| | | 50K 5000K/8.9W/720L | | |

| | |
|---|----------------------------|
| Accessories: Order as separate catalog number. | |
| OUJBK643 PAN U | Universal Construction Pan |



Universal Construction Pan

Notes

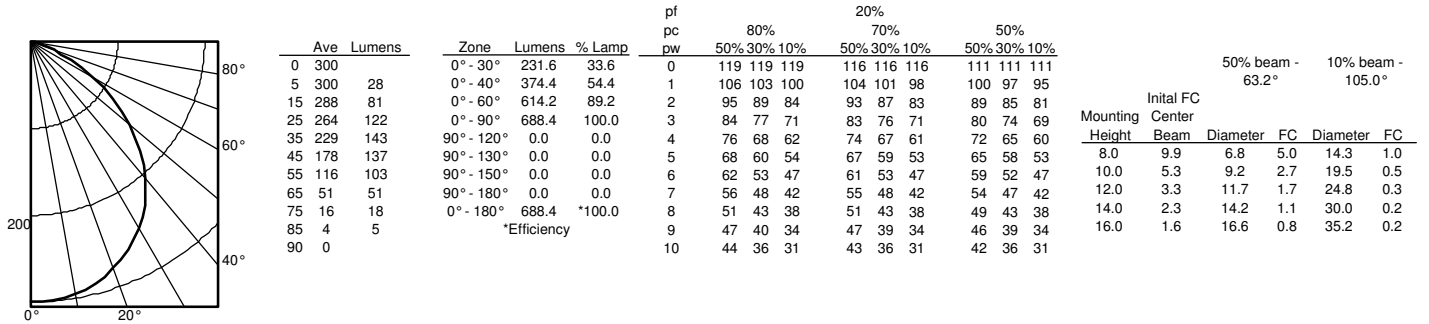
- Total System Delivered Lumens.
- Indoor damp location only for items in Brushed Nickel Finish.

4JBK RD OneUP™ Direct-Wire LED

PHOTOMETRICS

| Distribution Curve | Distribution Data | Output Data | Coefficient of Utilization | Illuminance Data at 30" Above Floor for a Single Luminaire |
|--------------------|-------------------|-------------|----------------------------|--|
|--------------------|-------------------|-------------|----------------------------|--|

4JBK RD 30K, 3000 K LEDs, input watts: 8.93, delivered lumens: 689.1, LM/W=77.1, test no. ISF 35033



ENERGY DATA

| 4" ROUND ENERGY DATA | | | | |
|---------------------------|------------------------------------|-------|-------|-------|
| Color Temperature | 2700K | 3000K | 4000K | 5000K |
| Lumens | 670 | 695 | 710 | 720 |
| CRI | 90 | | | |
| Lumens/Watt | 75.28 | 78.09 | 79.78 | 80.90 |
| Min. starting temperature | -18°C (-0°F) | | | |
| EMI/RFI | FCC Title 47 CFR, Part 15, Class B | | | |
| Sound rating | Class A Standards | | | |
| Input voltage | 120V AC | | | |
| Min. power factor | 0.9 | | | |
| Input frequency | 50/60HZ | | | |
| Rated wattage | 8.9W | | | |
| Input power | 8.9W | | | |
| Input current | 0.08A | | | |

DIMMER COMPATIBILITY

| COMPATIBLE DIMMERS | | | | |
|--|---------|----------------|-------------------------|------------------|
| Lutron | Leviton | Pass & Seymour | Synergy/Leviton | Sensorswitch |
| DV-603P-LA | 6633-PA | HCL453PTCCCV6 | ISD 600 I 120 / IPI06 | nSP5 PCD 2W |
| CT-603PR-WH | 6615-P | LS 603 PWV | ISD 1000 I 120 / IPI10 | nSP5 PCD ELV 120 |
| DVELV-300P | | | ISD 400 ELV 120 / IPE04 | |
| 300P SELV | | | | |
| DV-600P | | | | |
| NTELV-300P | | | | |
| NLV-600 | | | | |
| Caseta PD-6WCL dimmer (requires Lutron Smart Bridge) | | | | |
| L-BDG2-WH which is sold separately from the dimmer) | | | | |

LIGHTING FACTS

Lithonia Lighting

| | |
|-----------------------------------|--------------|
| Light Output (Lumens) | 695 |
| Watts | 8.94 |
| Lumens per Watt (Efficacy) | 77.74 |

| | |
|-----------------------------|-----------|
| Color Accuracy | 90 |
| Color Rendering Index (CRI) | |

| | |
|------------------------------------|----------------------------|
| Light Color | 3000 (Bright White) |
| Correlated Color Temperature (CCT) | |

2700K 3000K 4500K 6500K

Warm White Bright White Daylight

All results are according to IESNA LM-79-2008: Approved Method for the Electrical and Photometric Testing of Solid-State Lighting. The U.S. Department of Energy (DOE) verifies product test data and results.

Visit www.lightingfacts.com for the Label Reference Guide.

Registration Number: NJSM-2RBFMP (7/20/2017)
Model Number: 4JBK RD 30K 90CRI
Type: Luminaire - Downlight